

FEP ME 536



TECHNICAL SPECIFICATIONS

Inspection unit

- Dimensions: 1524mm (L) x 770mm (W) x 1212mm (H)
- Weight: 300kg
- Tunnel size: 506mm (W) x 360mm (H)
- Conveyor belt height: 690mm (adjustable)
- Belt speed: 0.2m/s
- Maximum bag weight: 165kg
- 1 19" LCD monitor SVGA 1280 x 1024
- Power supply: Monophase 230VAC +/- 10%
- Frequency: 50/60Hz +/- 3Hz
- Power absorption: 1kVA
- Duty cycle: 100%

X-Ray generator

- High frequency monobloc
- Tube voltage: 150kV
- Tube current: 0.5mA
- Beam orientation: Diagonal upwards

Environmental compliance

- Operational temperatures: 0°C to 40°C
- Storage temperature: -20°C to +60°C
- Humidity: 95% without condensation

- Protection class: IP22
- Noise level: < 60dB

Detection characteristics

- Resolution: 38 AWG
- Penetration: 27mm steel guaranteed, 30mm steel typical
- 768 detectors in two "L"-shaped rows of photodiodes

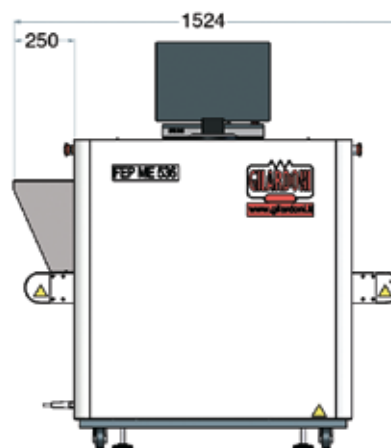
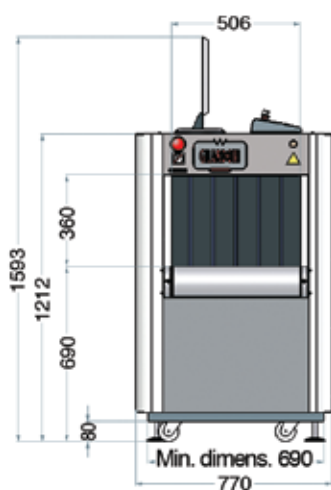
Health and Safety

- The system fully meets the applicable international regulations for X-Ray equipment
- Leakage dose at 10cm: < 1.0 μ Sv/h (0.1mR/h)
 - Film safety: guaranteed up to ISO 1600/33 DIN

Options

- NetServer
- Digital image archiving (AIMS)
- AIMS Networking
- Modular roller tables
- Remote workstation(s)
- UPS

REFERENCE REGULATION: EC, IEC, TSA, STAC, DfT, ENAC



Dimensions in mm

Reserving the right to improve and modify

RESEARCH LABORATORIES acknowledged "Highly Qualified" with decree D.M. 9-10-1985 – L.46/82 art.4

Head office and facilities:

Via Arturo Gilardoni, 1 - 23826 Mandello del Lario (LC) - Italy
tel. (+39) 0341-705.111 - fax (+39) 0341-735.046
e-mail: gx@gilardoni.it - www.gilardoni.it

Export department:

tel. (+39) 0341-705.311 - 0341-705.224 e-mail: secur.export@gilardoni.it

